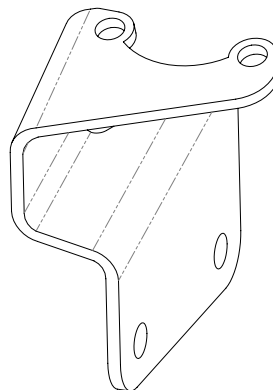
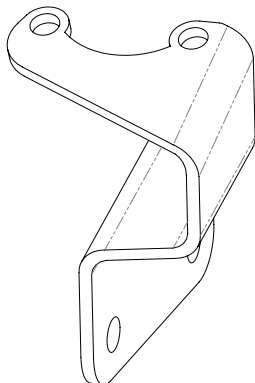




# INSTALLATION INSTRUCTIONS

970/990 Remote Reservoir Bracket Kit  
2009 and later Harley Davidson Touring models



## ATTENTION!

Statements in these instructions that are preceded by the following symbols are of special significance:



This symbol means there is the possibility of injury to yourself or others.



This symbol means there is the possibility of damage to the vehicle.

### NOTE:

*Information of particular importance has been placed in italics.*

## LIFETIME LIMITED WARRANTY

Progressive Suspension warrants to the original purchaser this part to be free of manufacturing defects in materials and workmanship with a lifetime limited warranty. In the event warranty service is required, you must call Progressive Suspension immediately with a description of the problem.

If it is deemed necessary for Progressive Suspension to make an evaluation to determine whether the part is defective, a return authorization number will be given by Progressive Suspension. The parts must be packaged properly so as to not cause further damage and returned prepaid to Progressive Suspension with a copy of the original invoice of purchase and a detailed letter outlining the nature of the problem. If after the evaluation by Progressive Suspension the part was found to be defective it will be repaired or replaced at no cost to you. If we replace it, we may replace it with a reconditioned one of the same design.

Progressive Suspension shall not be held liable for any consequential or incidental damages resulting from the failure of a Progressive Suspension part. Progressive Suspension shall have no obligation if a part becomes defective as a result of improper installation or abuse.



TECH: 714.523.8700

16121 Carmenita Road, Cerritos, CA 90703

FAX: 714.523.3220

## IMPORTANT NOTICE

Real mechanics read the instructions! Pride comes before damaged parts and the shame of admitting to your friends and a customer service representative that you messed up!

Congratulations on your purchase of the Progressive Suspension 970/990 shock absorbers and remote reservoir bracket kit!

The 990/970 Series Reservoir Bracket kit is designed to mount the 970/990 series reservoirs on the Harley Davidson "Bagger" accessory mounting bracket location.

## RECOMMENDED TOOLS

Basic hand tools

5/32" or 4mm Allen Wrench

3/16" Allen Wrench

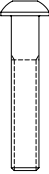
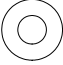
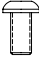


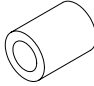
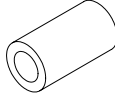


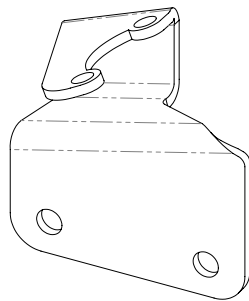
# 970/990 Remote Reservoir Bracket Kit 2009 and later Harley Davidson Touring models



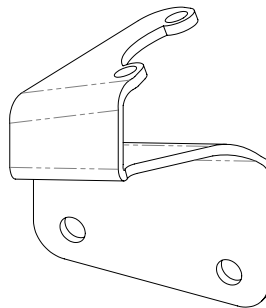
CHANGING THE CHASSIS AND/OR SUSPENSION ON ANY VEHICLE WILL CHANGE THE HANDLING CHARACTERISTICS OF THAT VEHICLE. CARE SHOULD BE TAKEN WHEN OPERATING THE VEHICLE WITH SUCH MODIFICATIONS WHILE GETTING ACCUSTOMED TO THE NEW HANDLING CHARACTERISTICS.

Each kit includes the following:

- 4pcs 5/16" x 1-3/4" Screw 
- 4pcs 5/16" Washer 
- 4pcs M6 x 12mm Screw 
- 2pcs 2.2mm Spacer 
- 2pcs 10.5mm Spacer 
- 2pcs 21mm Spacer 
- 2pcs 29mm Spacer 



Right Bracket



Left Bracket





# 970/990 Remote Reservoir Bracket Kit 2009 and later Harley Davidson Touring models

## INSTALLATION

Read all the instructions carefully before installing this kit on your motorcycle. Use your factory authorized service manual as a reference while installing this kit.

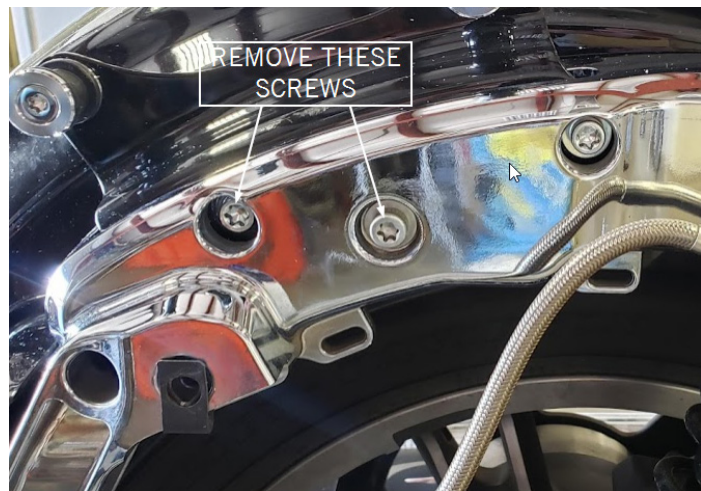
1. Install your 970/990 remote hose shocks as specified in your 970/990 installation instructions, except for use with the 30-5088 reservoir bracket kit, the reservoir hose needs to be pointed to the rear of the bike.



2. Mount the right reservoir bracket to the right side reservoir using the two M6 screws as shown. Apply blue Loctite and torque to 45 in-lbs



3. Remove the two original 5/16" accessory bracket screws as shown.



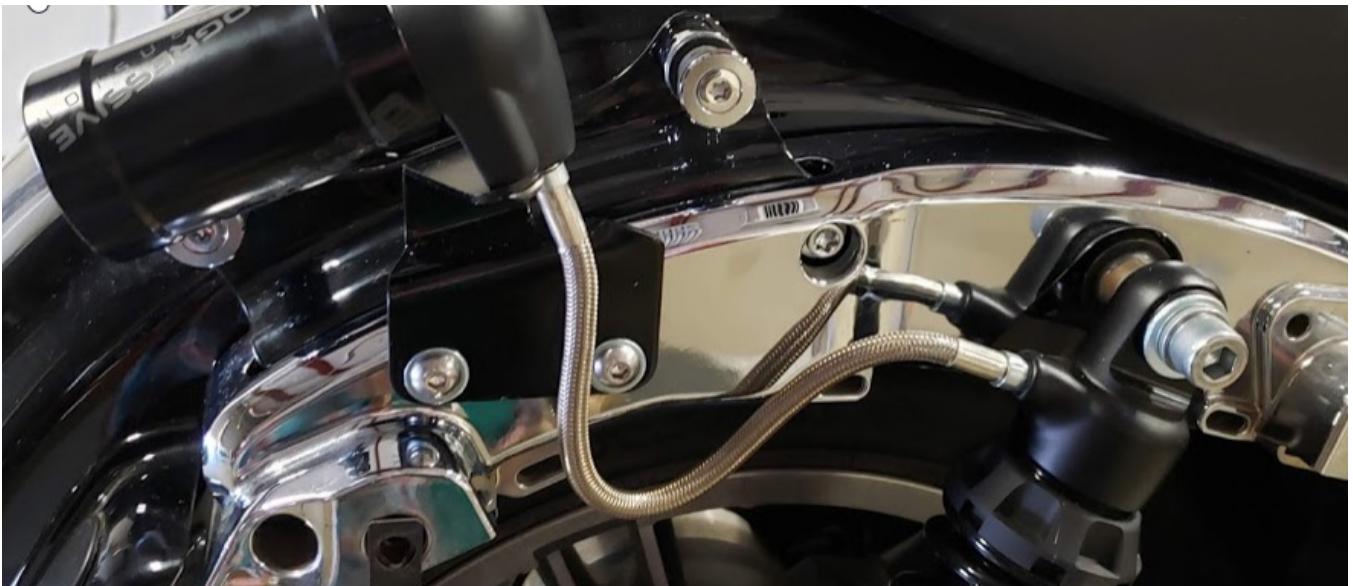
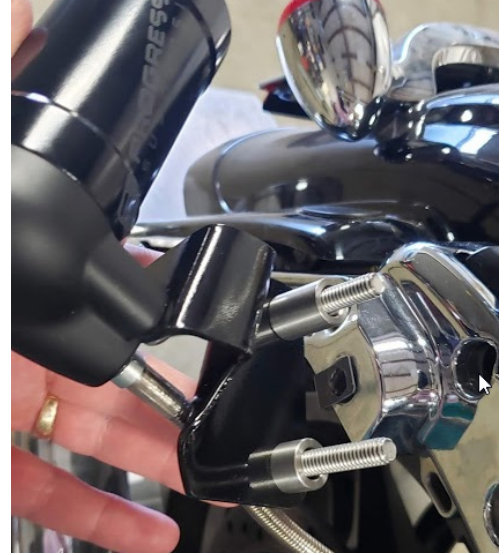
## TECHNICAL INFO

Our technical staff will assist you if you have any problems or questions. Call (714) 523-8700 from 8am to 4pm PST.





- The spacer combination will vary from bike to bike, depending on what model and installed accessories you have. You will need to choose the appropriate spacers so that when inserted in the locations noted below, they protrude the same amount- approximately 1/8" (~3mm). The spacers provided should fit the most common applicationn. Using the selected spacers for your model bike and installed accessories, use the new 5/16" screws and washers, and attach the brackets to your bike. Apply blue loctite and torque to 10 ft-lbs.



- Repeat for the left side.
- Reinstall your saddle bags (if equipped) and verify adequate hose clearance and reservoir clearance when opening and closing the lids.
- Admire you work
- Go ride.

