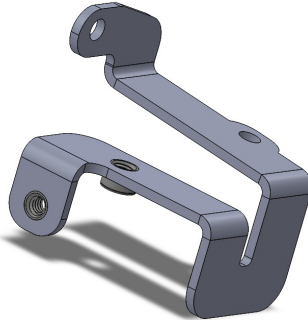




INSTALLATION INSTRUCTIONS

HD SOFTAIL - INCREASED CLEARANCE BRACKET



ATTENTION!

Statements in these instructions that are preceded by the following words are of special significance:



This symbol means there is the possibility of injury to yourself or others.



This symbol means there is the possibility of damage to the vehicle.

NOTE:

Information of particular importance has been placed in italics.

LIFETIME LIMITED WARRANTY

Progressive Suspension warrants to the original purchaser this part to be free of manufacturing defects in materials and workmanship with a lifetime limited warranty. In the event warranty service is required, you must call Progressive Suspension immediately with a description of the problem.

If it is deemed necessary for Progressive Suspension to make an evaluation to determine whether the part is defective, a return authorization number will be given by Progressive Suspension. The parts must be packaged properly so as to not cause further damage and returned prepaid to Progressive Suspension with a copy of the original invoice of purchase and a detailed letter outlining the nature of the problem. If after the evaluation by Progressive Suspension the part was found to be defective it will be repaired or replaced at no cost to you. If we replace it, we may replace it with a reconditioned one of the same design.

Progressive Suspension shall not be held liable for any consequential or incidental damages resulting from the failure of a Progressive Suspension part. Progressive Suspension shall have no obligation if a part becomes defective as a result of improper installation or abuse.

IMPORTANT NOTICE

Caution: Removing and replacing shock absorbers must be performed by a qualified mechanic according to steps outlined in a factory authorized professional service manual that relates to your particular make, model and year vehicle.

The vehicle must be securely lifted and supported during the removal and installation of the shock absorbers. Failure to do so can cause serious damage and/or injury.

Progressive Suspension Shock Absorbers are designed to work with the OEM(Original Equipment) mounts and mounting hardware.





INSTALLATION

Read all the instructions carefully before installing this kit on your motorcycle. Use your factory authorized service manual as a reference while installing this kit.

1. As with shock absorber replacement, it is recommended that the wiring bracket replacement be performed by a qualified mechanic according to steps outlined in a factory authorized professional service manual that relates to your particular make, model and year vehicle.
2. Follow instructions provided with your replacement shock absorber for removing the factory shock absorber.
3. Remove and replace factory wiring bracket (#47200999, Figure 1) with the supplied increased clearance bracket (#1850-108B) as follows:
 - a. Disconnect and remove wiring from plastic wiring caddy on top of wiring bracket (Figures 2-3).
 - b. Remove plastic wiring caddy by unscrewing center plastic screw, lift caddy off factory bracket, and set aside (Figures 3-4).
 - c. Remove all bolts retaining factory bracket, and remove bracket from motorcycle. Install increased clearance bracket in the same location and use factory bolts to attach to motorcycle (Figures 4-5). Torque bolts to required factory specifications as defined in factory authorized service manual.
 - i. Bolt 5 (Figure 1) will mount into original location with no interface to increased clearance bracket.
 - d. Re-install plastic caddy onto new bracket, screw retaining plastic screw into place. Re-connect all wiring connectors and install/route wiring as originally routed.
4. Follow instructions provided with your replacement shock absorber to complete installation of the high performance shock absorber.

Figure 1:

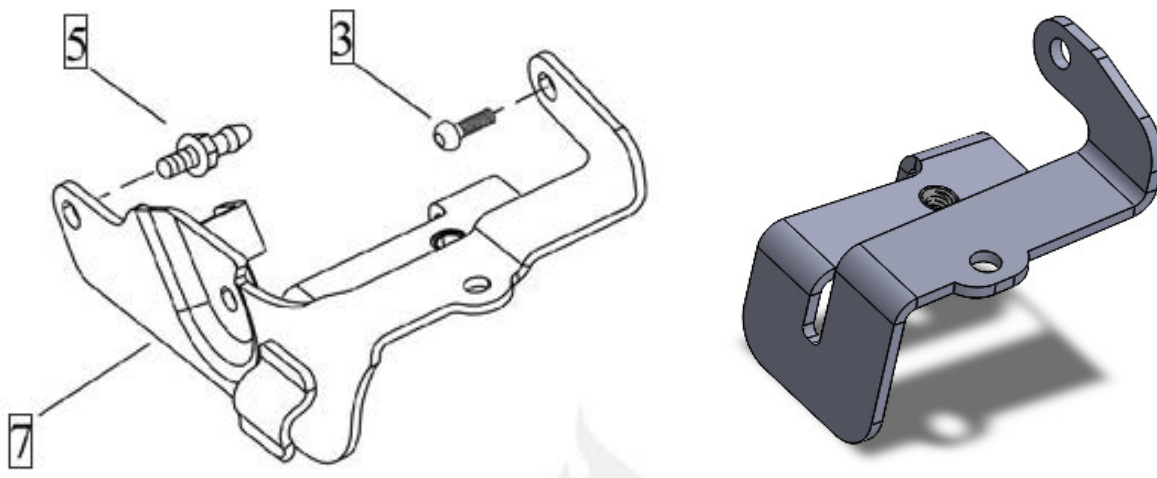




Figure 2:

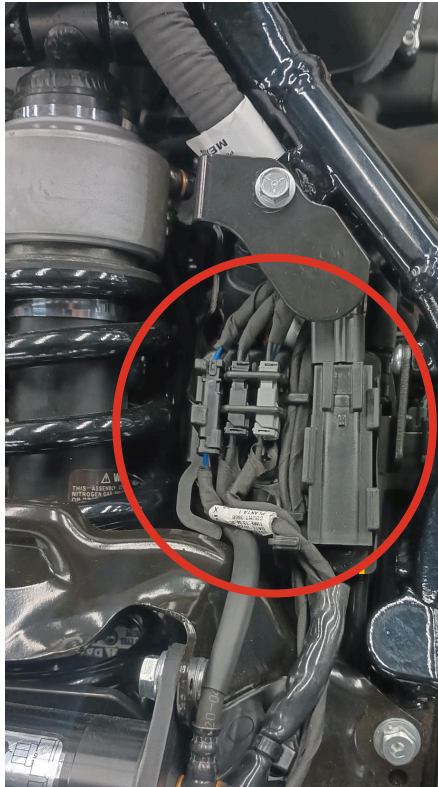


Figure 3:

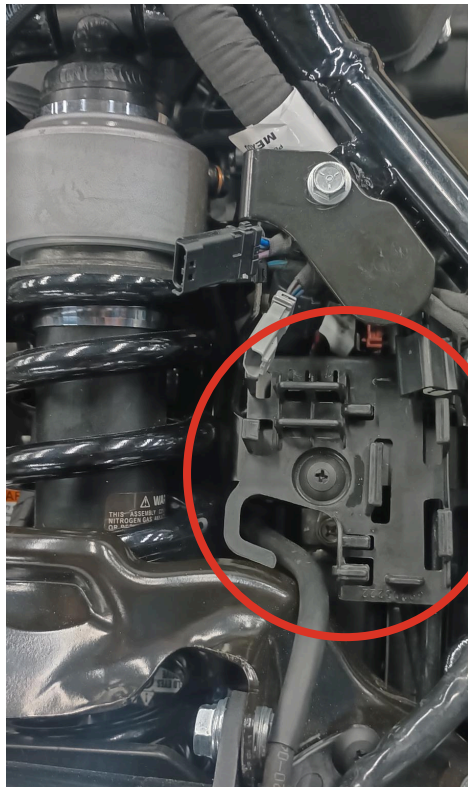


Figure 4:

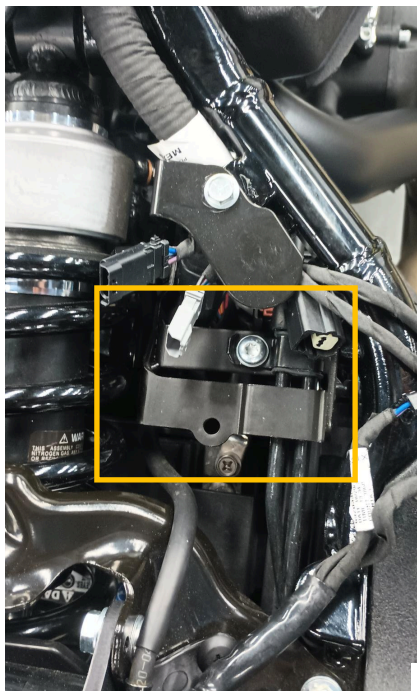


Figure 5:

